




宁波北仑华勒电器有限公司  
NINGBO BEILUN WALLA ELECTRIC APPLIANCE CO.,LTD

 ADDRESS  
R606,Pacific International Building NO.500 ,  
Mingzhou Road,Beilun 315800, Ningbo, Zhejiang, China  
中国浙江省宁波市北仑区太平洋国际大厦606室

 EMAIL  
wallatech@walla-minibar.com

 TEL  
+86-574-86831112

 FAX  
+86-574-86831113



NINGBO BEILUN  
WALLA ELECTRIC APPLIANCE CO.,LTD

Your Partner In  
Hotel & Hospitality Industry

酒店一站式专业供应商

**WALLATECH**<sup>®</sup>

宁波北仑华勒电器有限公司  
客房用品/卫浴用品/大厅用品



产品目录

## Product catalog



Absorption Minibar  
吸收式冰箱

P03-10



Thermoelectric Minibar  
电子冰箱

P11-17



Hair Dryer  
吹风机

P18-21



Safe  
保险柜

P22-23



Kettle  
水壶

P24-25



Telephone  
电话机

P26-27



Body Fat Analyser@  
bathroom Scales  
体脂分析仪

P28-29



Hand Dryer  
干手器

P30-32



## 公司介绍 Company profile

### NINGBO BEILUN WALLA ELECTRIC APPLIANCE CO.,LTD

Was established in 2008, we specialized in the production, R&D and sales of hotel guest room minibar. The product series including absorption minibar&thermoelectric minibar.

We are also a professional supplier of a wide range of hospitality products, equipment and amenities for hotels, resorts, cruise ships.

After 10years of development,Walla has provided high-class products and services to high-end hotels in more than 35 countries and regions around the world.

Through our continuous efforts, our products and services are being recognized by more and more customers.

We are the most professional and trusted hotel&hospitality supplier in China.

The purpose of Walla company: We not only provide high quality products, but also the perfect service.

### 2008 年

Start from 2008

### 8000 平米

Plant area 8000m<sup>2</sup>

### 50+

Workers to 50+

### 10 万

Year capacity over to 10,000pcs

### 35+

Provide service to more than 35countries and regions

### 宁波北仑华勒电器有限公司

宁波北仑华勒电器有限公司创建于2008年，旨在向客户提供专业的酒店用品一站式服务。

杭州华勒科技有限公司是宁波北仑华勒电器有限公司的全资子公司和酒店客房冰箱生产基地，自成立以来一直专注于酒店客房冰箱生产、研发。产品包括吸收式冰箱，半导体冰箱等多个系列和型号。工厂占地面积10亩，厂房生产面积8000平米，员工50人，冰箱年生产能力达到10万台。

在过去的10年当中，我们向全世界超过35个国家和地区的高端酒店提供我们的产品和服务。经过我们的持续不断的努力，我们的产品和服务正在被世界上越来越多的客户所认可。我们将一直专注于从事酒店用品，不断开发和提供符合市场需求的产品，改进技术和服务。华勒的公司宗旨是：我们提供的不仅仅是高品质的产品，还有专业的建议和服务。

# Your Partner In Hotel & Hospitality Industry

## 酒店一站式专业供应商



### 吸收式制冷的特点

Characteristics of absorption refrigeration

吸收扩散式制冷原理

Absorption style refrigeration technology

无压缩机, 无氟里昂, 无机械运动部件, 超静音运行  
No compressor, no Freon, no moving parts, complete silent

自动除霜, LED内置照明

Auto defrost, interior LED light

全封闭设计, 终生无需添加制冷剂

Totally enclosed design without need to add refrigerant for whole life

运输方便, 不怕倾斜, 倒置

Easy transportation, no concern for slanting or placing upside down.

低电耗, 支持多种电压(直流12V 24V, 交流110V, 220V等)

Low power consumption, supporting multi-voltage(DC12V, 24V, AC 110V, 220V etc)

### 吸收式制冷的应用

Absorption refrigeration applications

吸收式冰箱由于其静音, 低碳, 环保的特点广泛应用于各酒店, 医院, 邮轮, 高档私人会所及公寓, 以满足人们对于高品质生活的追求。

Absorption type refrigerator because of its quiet, low carbon, environmental characteristics is widely used in hotel, hospital cruise, high-end private club and apartments, to meet the needs of people for high-quality life for the pursuit of.

### 吸收式制冷的安装要求

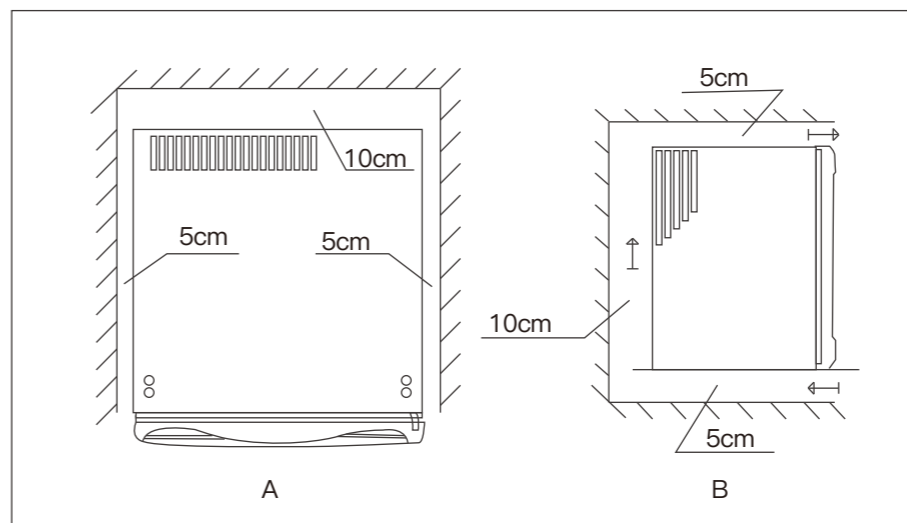
Absorption refrigerating installation requirements

正确放置/Right place

冷藏箱的正确放置位置, 四周应留有不少于5cm的空间, 以保证制冷系统散热。

若冷藏箱作内置式安置时(如酒店、宾馆)需要有充足的散热通道, 如图中A、B、所示, 进气口, 排气口的面积均不少于250cm<sup>2</sup>。并保证进排气流畅通无阻, 切勿置于封闭框内。

Correct placement of the cooler, there should be no less than 5cm of space, to ensure that the refrigeration system heat dissipation. If a built-in cooler place (such as hotel, the guesthouse) need to have sufficient cooling channel, as shown in figure A, B, air inlet and outlet area of not less than 250cm<sup>2</sup>. And ensure the inlet and exhaust flow unimpeded, not placed in a sealed box.



请十分注意以下事项以确保最佳的冷藏效能和低耗电量。

Please pay more attention to the following items in order to ensure the best refrigerating efficiency and low power consumption.

冷藏箱不可放置在太接近热源的地方, 而且不能直接受到日照。

Cannot be placed too close to heat sources and directly affected by sunlight.

制冷系统周围不可有物品阻碍空气流通。

Refrigeration system shall have no objects blocking the air circulation around them.

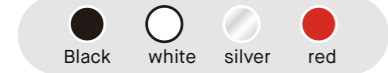
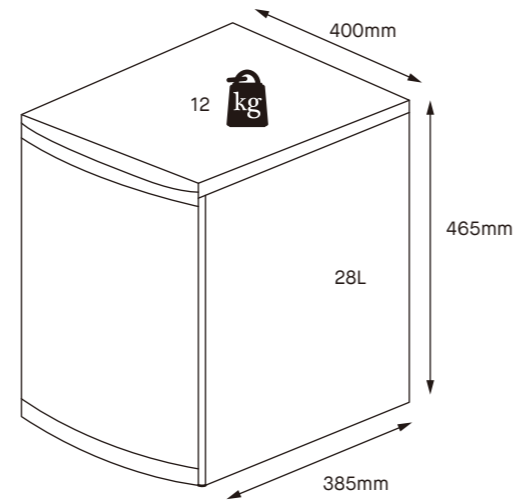
通风格栅不可被任何物品盖上。如饰品或布料等。

Cover ventilation grille cannot be any items. Such as jewelry or Cloth, etc.

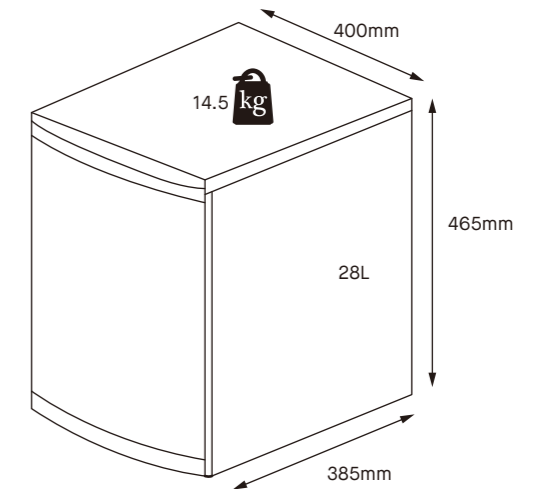
冷藏箱必须安置平稳并处于水平位置。

Cooler must be placed smoothly and in a horizontal position.

Absorption Minibar



Absorption Minibar



XC-28 FOAMED DOOR

Capacity	28L
Cooling technology	Absorption cooling system
Auto defrost	Yes
Noise	ODB
Packing size	W445MM*D435MM*H525MM
G.W.	13KGS
20"/40"/40HQ	260/520/620PCS
Voltage	110V/50-60Hz/ 220V-240V/50-60Hz
Watts input	60W
Energy consumption	0.75KWH/24H
Average Temperature	5-8°C ( ambient temperature 25°C)
Certification	CE、ROHS、SAA、LFGB

Features



XC-28 GLASS DOOR

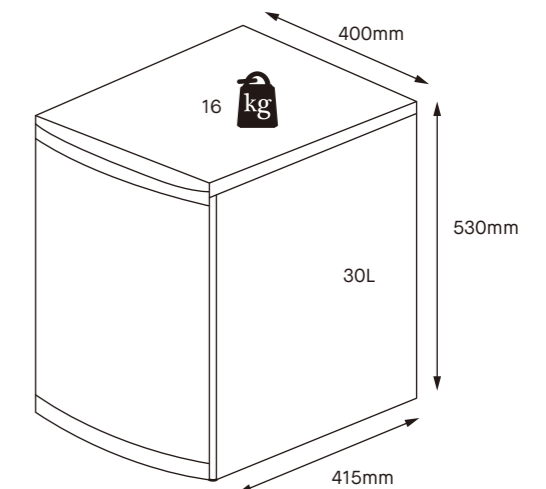
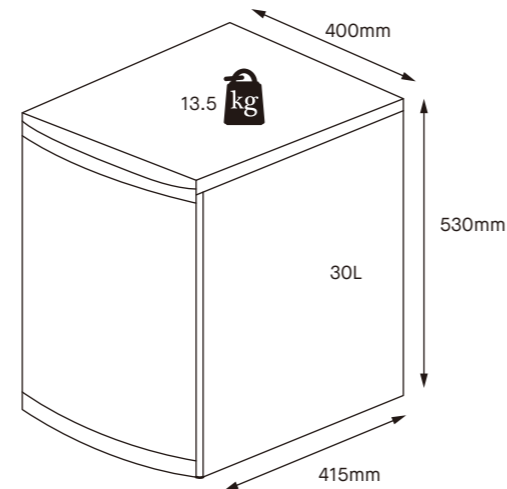
Capacity	28L
Cooling technology	Absorption cooling system
Auto defrost	Yes
Noise	ODB
Packing size	W445MM*D435MM*H525MM
G.W.	15.5KGS
20"/40"/40HQ	260/520/620PCS
Voltage	110V/50-60Hz/ 220V-240V/50-60Hz
Watts input	60W
Energy consumption	1.0KWH/24H
Average Temperature	10-12°C ( ambient temperature 25°C)
Certification	CE、ROHS、SAA、LFGB

Features



Absorption Minibar

Absorption Minibar



XC-30 FOAMED DOOR

Capacity	30L
Cooling technology	Absorption cooling system
Auto defrost	Yes
Noise	ODB
Packing size	W450MM*D460MM*H590MM
G.W.	14.5KGS
20"/40"/40HQ	250/500/520PCS
Voltage	110V/50-60Hz/ 220V-240V/50-60Hz
Watts input	60W
Energy consumption	0.75KWH/24H
Average Temperature	5-8 C ( ambient temperature 25 C )
Certification	CE、ROHS、SAA、LFGB

Features



XC-30 GLASS DOOR

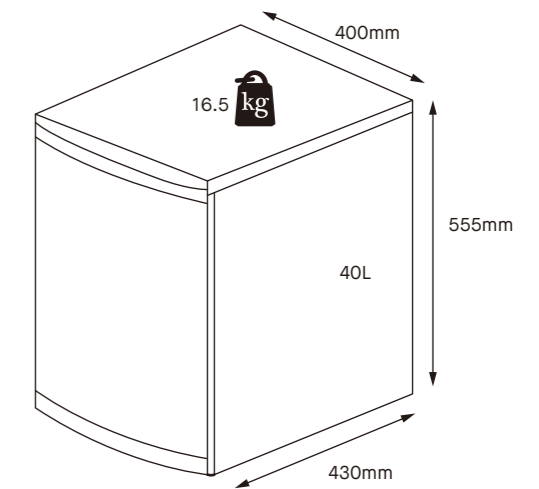
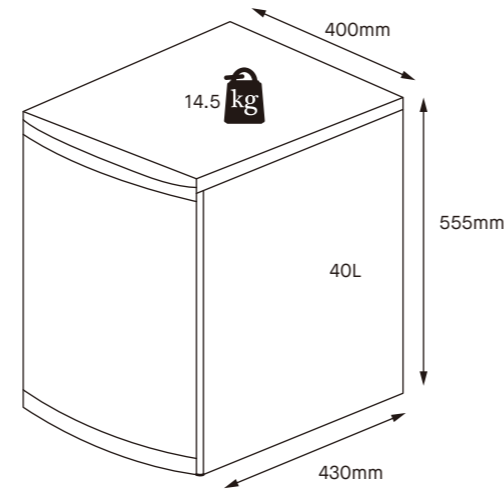
Capacity	30L
Cooling technology	Absorption cooling system
Auto defrost	Yes
Noise	ODB
Packing size	W450MM*D460MM*H590MM
G.W.	17KGS
20"/40"/40HQ	250/500/520PCS
Voltage	110V/50-60Hz/ 220V-240V/50-60Hz
Watts input	60W
Energy consumption	1.0KWH/24H
Average Temperature	10-12 C ( ambient temperature 25 C )
Certification	CE、ROHS、SAA、LFGB

Features



Absorption Minibar

Absorption Minibar



XC-40 FOAMED DOOR

Capacity	40L
Cooling technology	Absorption cooling system
Auto defrost	Yes
Noise	0DB
Packing size	W450MM*D480MM*H610MM
G.W.	16KGS
20"/40"/40HQ	225/485/500PCS
Voltage	110V/50-60Hz/ 220V-240V/50-60Hz
Watts input	60W
Energy consumption	0.75KWH/24H
Average Temperature	5-8 C ( ambient temperature 25 C )
Certification	CE、 ROHS、 SAA、 LFGB

Features



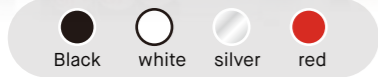
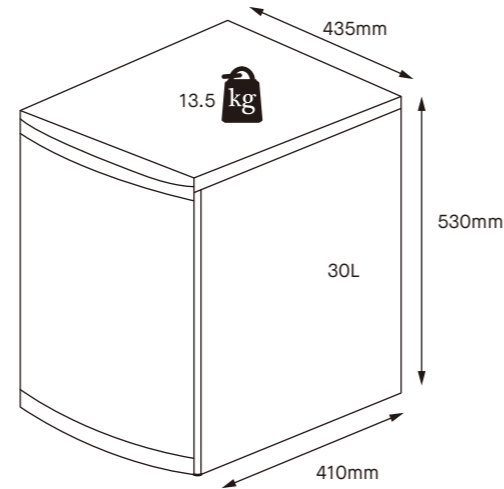
XC-40 GLASS DOOR

Capacity	40L
Cooling technology	Absorption cooling system
Auto defrost	Yes
Noise	0DB
Packing size	W450MM*D480MM*H610MM
G.W.	18KGS
20"/40"/40HQ	225/485/500PCS
Voltage	110V/50-60Hz/ 220V-240V/50-60Hz
Watts input	60W
Energy consumption	1.0KWH/24H
Average Temperature	10-12 C ( ambient temperature 25 C )
Certification	CE、 ROHS、 SAA、 LFGB

Features



Absorption Minibar



XC-30HP FOAMED DOOR

Capacity	30L
Cooling technology	Absorption cooling system
Auto defrost	Yes
Noise	ODB
Packing size	W475MMXD450MMXH590MM
G.W.	14.5KGS
20"/40"/40HQ	240/500/530PCS
Voltage	110V/50-60Hz/ 220V-240V/50-60Hz
Watts input	60W
Energy consumption	0.65KWH/24H
Average Temperature	0-2 C (ambient temperature 25 C)

Features



Thermoelectric Minibar



半导体制冷的特点





The Characteristics of semiconductor refrigeration

半导体小冰箱，半导体制冷，又称电子制冷、热电致冷、温差电致冷。它是利用半导体材料的热电效应（珀尔贴效应）进行制冷的一种制冷技术。

Semiconductor minibar, semiconductor refrigeration, also known as electronic minibar, electronic refrigeration, thermoelectric cooling, temperature difference electrical cooling. It is a refrigeration technology that utilizes the thermoelectric effect (Peltier effect) of semiconductor materials for refrigeration.

半导体小冰箱优点

The advantages of thermoelectric minibar

 <p><b>绿色低碳</b> 不破坏环境</p> <p>Green and low-carbon no damage to the environment.</p>	 <p><b>宁静空间</b> 宁静空间,无压缩机 超静音</p> <p>Quiet space Semiconductor refrigeration, no compressor, quiet space, no compressor.</p>	 <p><b>节能高效</b> 与同等容积的其他制冷方式 酒店冰箱对比,节能20%以上, 使用寿命长。</p> <p>Energy saving and high efficiency Compared with other refrigeration methods of the same volume, the hotel refrigerator is more than 20% energy saving and has a long service life.</p>	 <p><b>与时俱进</b> 它突破了传统冰箱的概念,结构 简单、体积小巧,迷你外观设计 和真正启到保鲜的实用功能。</p> <p>Keep pace with the time It breaks through the traditional refrigerator concept, simple structure, compact volume, mini appearance design and really start to the practical function of fresh, to bring you a new experience.</p>
--	---	--	--

半导体制冷原理

Principle of semiconductor refrigeration

珀尔贴效应是指：两种不同的金属构成一个闭合回路，当回路中存在直流电流时，两个接头之间将产生温差。

The Peltier effect is when two different metals form a closed circuit, and when DC current is present in the circuit, there is a temperature difference between the two joints.



半导体制冷应用

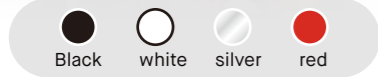
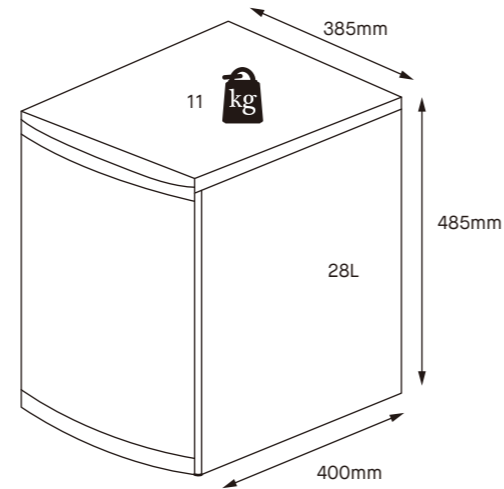
Semiconductor refrigeration application

半导体应用广泛。可应用于酒店客房冰箱、葡萄酒柜、啤酒机、温差发电芯片、医疗设备、美容设备等。

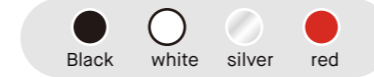
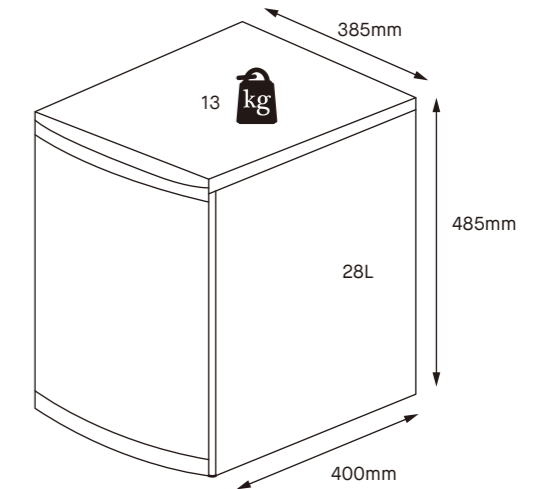
Thermiconductors are widely used. It can be used in hotel room refrigerator, wine cabinet, beer spout, temperature difference power generation chip, medical equipment, beauty equipment, etc.



Thermoelectric Minibar



Thermoelectric Minibar



BCH-28 FOAMED DOOR

Capacity	28L
Cooling technology	Thermoelectric Minibar (Peltier)
Auto defrost	Yes
Noise	ODB
Packing size	W450MM*D435MM*H545MM
G.W.	12kgs
20"/40"/40HQ	260/530/610PCS
Voltage	110V/50-60Hz/ 220V-240V/50-60Hz
Watts input	60W
Average Temperature	5-8°C ( ambient temperature 25°C)
Certification	CE,ROHS,EEI

Features



BCH-28 GLASS DOOR

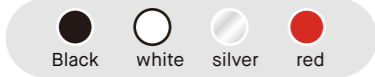
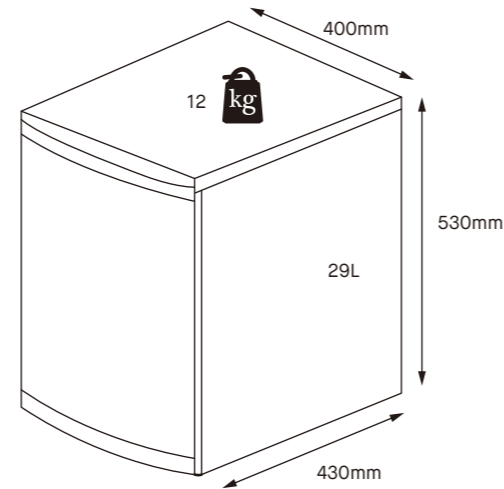
Capacity	28L
Cooling technology	Thermoelectric Minibar (Peltier)
Auto defrost	Yes
Noise	ODB
Packing size	W450MM*D435MM*H545MM
G.W.	14kgs
20"/40"/40HQ	260/530/610PCS
Voltage	110V/50-60Hz/ 220V-240V/50-60Hz
Watts input	60W
Average Temperature	10-12°C ( ambient temperature 25°C)
Certification	CE,ROHS,EEI

Features

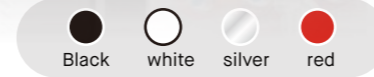
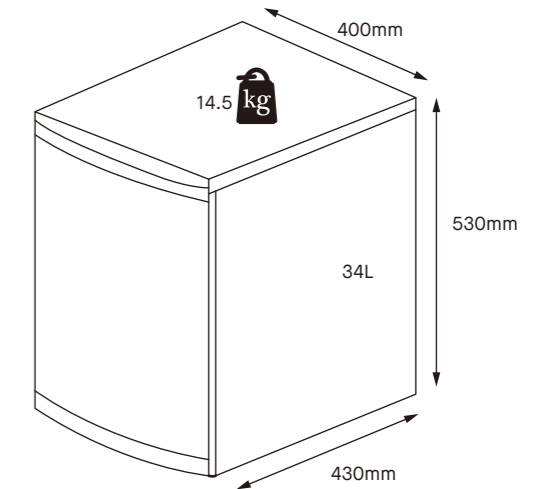




Thermoelectric Minibar



Thermoelectric Minibar



BCH-35 FOAMED DOOR

Capacity	29L
Cooling technology	Thermoelectric Minibar (Peltier)
Auto defrost	Yes
Noise	0DB
Packing size	W475MM*D450MM*H590MM
G.W.	13.5KGS
20"/40"/40HQ	240/500/520PCS
Voltage	110V/50-60Hz/ 220V-240V/50-60Hz
Watts input	60W
Energy consumption	0.235KW/24H
Average Temperature	5-8 C ( ambient temperature 25 C )
Certification	CE,ROHS,EEI

Features



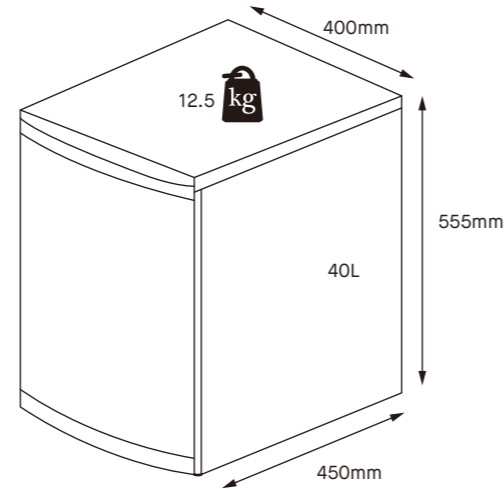
BCH-35 GLASS DOOR

Capacity	34L
Cooling technology	Thermoelectric Minibar (Peltier)
Auto defrost	Yes
Noise	0DB
Packing size	W475MM*D450MM*H590MM
G.W.	16KGS
20"/40"/40HQ	240/500/520PCS
Voltage	110V/50-60Hz/ 220V-240V/50-60Hz
Watts input	60W
Energy consumption	0.213KW/24H
Average Temperature	10-12 C ( ambient temperature 25 C )
Certification	CE,ROHS,EEI

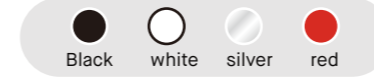
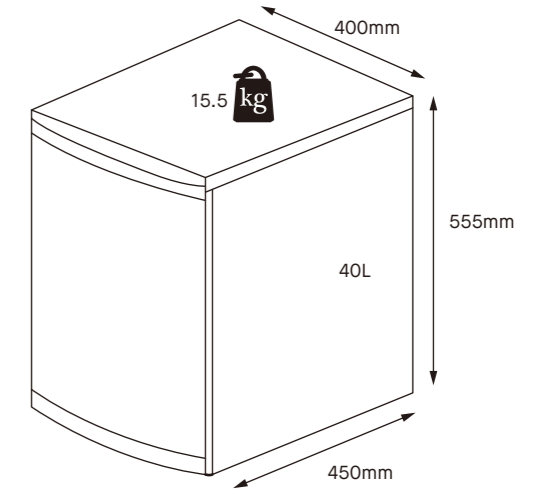
Features



Thermoelectric Minibar



Thermoelectric Minibar



BCH-40 FOAMED DOOR

Capacity	40L
Cooling technology	Thermoelectric Minibar (Peltier)
Auto defrost	Yes
Noise	ODB
Packing size	W450MM*D480MM*H610MM
G.W.	14KGS
20"/40"/40HQ	240/460/500PCS
Voltage	110V/50-60Hz/ 220V-240V/50-60Hz
Watts input	60W
Average Temperature	5-8°C ( ambient temperature 25°C)
Certification	CE,ROHS,EI

Features



BCH-40 GLASS DOOR

Capacity	40L
Cooling technology	Thermoelectric Minibar (Peltier)
Auto defrost	Yes
Noise	ODB
Packing size	W450MM*D480MM*H610MM
G.W.	17KGS
20"/40"/40HQ	240/460/500PCS
Voltage	110V/50-60Hz/ 220V-240V/50-60Hz
Watts input	60W
Average Temperature	10-12°C ( ambient temperature 25°C)
Certification	CE,ROHS,EI

Features





**RCE-1688**

- 1. On/off switch
- 2. Power: 1800W
- 3. Anti scraping design of plastic elastic body
- 4. plastic elastic loop
- 5. super quiet design of 18 pieces wind blade
- 6. Unique integration of 304 stainless steel, detachable and washable wind inlet
- 7. 304 stainless steel front cylinder
- 8. two wind speeds, four kinds of heat combinations
- 9. Independent pedestal power switch
- 10. Unique holder design, fashion and avant-garde



**RCY-67430-T**

- 1.1400W
- 2.With the handle of micro-switch,when the handle is held it works, when released it stops working
- 3.High and low two speeds air control
- 4.low noise, long life motor
- 5.With auto over heating protection system
- 6.Professional design for hotels
- 7.With cool shot button to alter from cool and hot wind



**WT-200**

- 1.Power:220V-240V 50/60Hz 1600W
- 2.ON/OFF with micro-safe button on handle.
- 3.Three heat settings including COOL air setting.
- 4.Automatic over-heating protection system



**WT-6100**

- 1.Power:220V-240V 50/60Hz 1200W
- 2.ON/OFF with micro-safe button on handle
- 3.Two heat settings by push up and down.
- 4.Automatic over-heating protection system



**WT-6220**

- 1.Power:220V-240V 50/60Hz 1200W.
- 2.ON/OFF with micro-safe button on handle.
- 3.Two heat settings by push up and down.
- 4.automatic over-heating protection system
- 5.Suit for both wall mounted and direct-wire.
- 6.Shaver socket 110-120V and 220-240V.



**WT-8100**

- 1.Power:220V-240V 50/60Hz 2000W.
- 2.ON/OFF with micro-safe button on handle.
- 3.Three heat settings including COOL air setting.
- 4.Automatic over-heating protection system.



**WT-6400C BLACK**

- 1.Power:220V-240V 50/60Hz 1600W.
- 2.ON/OFF with micro-safe button on handle.
- 3.Three heat settings including COOL air setting.
- 4.Automatic over-heating protection system.



**WT-8200**

- 1.Power:220V-240V 50/60Hz 2000W.
- 2.ON/OFF with micro-safe button on handle.
- 3.Three heat settings including COOL air setting.
- 4.Automatic over-heating protection system.



E2042BJ



E2042G



E2042H



E2042ME



E2042N



E2042V



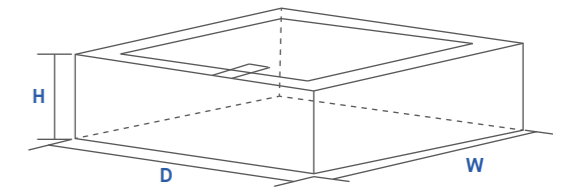
D1541N



D1541NK

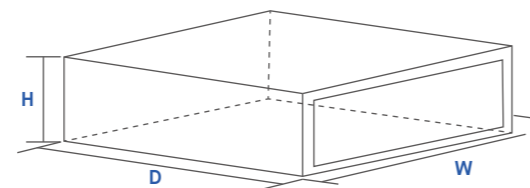
Parameter

Model No.	D1541N/NK
Overall Dimension(W*D*H)(mm)	410*350*150
Carton Size(W*D*H)(mm)	450*390*200
G.W/N.W(KG)	11/10.5;9.5/9
Body/Door(MM)	1.5/4(2)
20ft	872



Parameter

Model No.	E2042BJ/G/H/ME/N/V
Overall Dimension(W*D*H)(mm)	420*370*200
Carton Size(W*D*H)(mm)	460*410*250
G.W/N.W(KG)	11/10
Body/Door(MM)	1.5/4(2)
20ft	645



Feature:

- Suitable for laptop, a variety of colors for options
- 2 groups of code: guest code(3-6digit), emergency code(6-digit)
- CEU, light are optional
- Mechanical override key
- Motorised opening



**Model No.:H1206**

- Material:SS304 Stainless Steel
- Voltage:220-240V, 50/60H
- Ctn Size:12pcs/ctn, 57.5\*38\* 44.5cm
- Recommendation:4-5 star hotels
- Capacity:1.2L
- Power Rate:1000-1200W
- Controller:Branded Controller
- N.W./G.W.:12.1KGS/ 13.50KGS
- Certificates:CE,CB(IEC)



**Model No.:H1268**

- Capacity:0.8L
- Material:SS304 Stainless Steel
- Power Rate:1000~1200 Watts
- Voltage: 220-240V, 50/60Hz
- Controller:HUILAIDE Controller
- Ctn Size:12pcs/ctn, 46.5\*35.5\* 41 cm
- N.W./G.W.:10.5/12KGS
- Recommendation:4-5 star hotels
- Certificates:CE,CB(IEC)



**Model No.:H1261**

- Capacity:0.6L
- Material:Plastic + SS304 stainless steel
- Power Rate:1000-1200W
- Voltage:220-240V, 50/60Hz
- Controller:Strix Controller or local China controller
- Ctn Size:12pcs/ctn,45.5\*40\*36.5cm
- N.W./G.W.:8.4/10.1KGS
- Recommendation:4-5 star hotels
- Certificates:CE,CB(IEC)



**Model No.:I-H1208**

- Material:SS304 Stainless Steel
- Voltage:220-240V, 50/60Hz
- Ctn Size:12pcs/ctn, 56.5\*34.5\*43 cm
- Recommendation:4-5 star hotels
- Capacity:0.8L
- Power Rate:800-1000W
- Controller:Strix Controller
- N.W./G.W.:9.2/11.70KGS
- Certificates:CE,CB(IEC)



### SN-0001

- Surface mount technology with CPU control;
- Customizable faceplate;
- 0-10 programmable memory button;
- High quality plastic casing;
- High immunity to electro-magnetic radiation;
- Robust design with high reliability;
- Adjustable flash-hook timer;
- Speakerphone volume control;
- Redial;
- Hold;
- Hands-free;
- Data port;
- Desk or wall-mount.



### SN-0012

- Adjustable flash timer;
- High immunity to electro-magnetic radiation;
- Robust design with high reliability;
- High quality plastic casing;
- Heat and steam resistance;
- Ringer volume adjustable;
- Auto disconnect on busy tone detection;
- Desk or wall-mount;
- sos;
- Redial.



### SN-0003

- Surface mount technology with CPU control;
- Customizable faceplate;
- 0-15 programmable memory button;
- High quality plastic casing;
- High immunity to electro-magnetic radiation;
- Robust design with high reliability;
- Adjustable flash-hook timer;
- Speakerphone volume control;
- Redial;
- Hold;
- Automatic take-up;
- Hands-free;
- Data port;
- Desk or wall-mount;
- Message extraction function.



### SN-8903

- Adjustable Flash Timer;
- High Immunity To Electro-magnetic Radiation;
- Robust Design With High Reliability;
- High Quality Plastic Casing;
- Heat And Steam Resistance;
- Ringer Volume Adjustable;
- Auto Disconnect On Busy Tone Detection;
- Desk Or Wall-mount;
- Sos ;
- Redial;
- Electromagnetic Hookswitch.

BODY FAT ANALYSER@BATHROM SCALES

BODY FAT ANALYSER@BATHROM SCALES



8818

- 1.Capacity:180kg/400lb
- 2.Graduation:100g
- 3.Batteries:2xAAA
- 4.Dimension:320x320x21mm
- 5.Full ABS back cover
- 6.Chrome details
- 7.Color; Black/White(Optional)

Dimensions and weight (4pcs/ctn)

MEAS	NW	GW
212x237x136mm	9.9KG	10.8KG



9639

- 1.Capacity:180kg/400lb
- 2.Graduation:50g
- 3.Batteries:3xAAA
- 4.Dimension: 300x 300x23.5 mm
- 5.Full ABS back cover 6.Temperature setting

Dimensions and weight (6pcs/ctn)

MEAS	NW	GW
345x345x290mm	11.5KG	12.5KG



9629

- 1.Capacity:180kg/400lb
- 2.Graduation:100g
- 3.Batteries:3xAAA
- 4.Dimension: 300x300x26mm
- 5.Full ABS back cover

Dimensions and weight (6pcs/ctn)

MEAS	NW	GW
345x345x290mm	11.5KG	12.6KG



9918

- 1.Capacity:180kg/400lb
- 2.Graduation:100g
- 3.Dimension:304x304x25mm
- 4.Connects withAndroid/iOSsystem via Bluetooth 4.0
- 5.Premium ITO coating
- 6.Visceral fat
- 7.Basal metabolic rate (BMR)
- 8.Biological-age
- 9.Sensor touch control
- 10.Color:White/Black (optional)
- 11.Batteries:4 x AAA

Dimensions and weight (6pcs/ctn)

MEAS	NW	GW
365x330x355mm	11.6KG	15.3KG





**F-820**

- 1.Voltage: 110-220V(50Hz-60Hz)
- 2.Rated Power: 2000W
- 3.Current: 9.0A
- 4.Air Speed: 16M/S
- 5.Water Splash Proof: IPX1
- 6.ABS Plastic
- 7.White

**Dimensions and weight (8pcs/ctn)**

MEAS	20Q	40Q	NW	GW
24.0×24.0×23.0CM	1288PCS	2844PCS	13.0KG	16.0KG



**F-888**

- 1.Voltage: 110-220V(50Hz-60Hz)
- 2.Rated Power: 1800W
- 3.Current: 7.0A
- 4.Air Speed: 60M/S
- 5.Water Splash Proof: IPX1
- 6.Stainless Steel 304
- 7.Brushed or Shiny

**Dimensions and weight (2pcs/ctn)**

MEAS	20Q	40Q	NW	GW
29.5×17.1×32.5CM	900PCS	1800PCS	8.8KG	10.3KG



**F-843**

- 1.Voltage: 110-220V(50Hz-60Hz)
- 2.Rated Power: 2300W
- 3.Current: 11.0A
- 4.Air Speed: 30M/S
- 5.Water Splash Proof: IPX1
- 6.Nozzle: 360°revolving
- 7.Stainless Steel 304
- 8.Brushed or Shiny

**Dimensions and weight (4pcs/ctn)**

MEAS	20Q	40Q	NW	GW
27.5×20.0×23.0 CM	1176PCS	2860PCS	17.0KG	20.0KG



**F-858**

- 1.Voltage:110V-220v(50-60Hz)
- 2.Rated Power:1200W
- 3.Current: 5.5A
- 4.Air speed:50m/s
- 5.Water Splash Proof: IPX1
- 6.Stainless Steel 304
- 7.Color:Shiny Or Brushed

**Dimensions and weight (2pcs/ctn)**

MEAS	20Q	40Q	NW	GW
54x33.5x33CM	938PCS	2280PCS	8KG	6.5KG



Technical

Operating	Automatic sensor
Voltage	220-240Vac
Frequency	50-60Hz
Electrical insulation	Class II
Protection level	IP23
Motor type	TOP AC
Bursh	1000hours
Motor speed	28000rpm
Rated motor power	1000w
Rated heating element power	350w
Rated power	1350w
Automatic turn-off	20sec.
Air speed	410km/h
Noise level	70db
UV-C lamp	2*1.5w
Drying time	10-15sec.
Air temperature	40 C
Antibacterial/antiviral filter	2XHEAP E11
Weight	7KGS
Measure (HXWXD)	63.6X30X16.7CM
Pcs per box	1
Packaged weight	8.5KGS

SF-2020

High-speed blade hand dryer.superfast,energy efficient,Stylish design and ultra compact in size.  
 Top hygiene level by double integrated UV-C lamp and inbuilt double antiviral/antibacterial filters as standard equipment. Concealed drip traps waster water.Adjustable heating element.



宁波北仑华勒电器有限公司  
 客房用品/卫浴用品/大厅用品

More Products  
[www.walla-minibar.com](http://www.walla-minibar.com)